

URC-F SRC-H/SRK-H REMOTE CONDENSER SERIES

Item # _____

Project: _____

Qty: _____

*AutoCad available on KCL

URC-F/SRC-H/SRK-H

9/08

Item # 13084

URC-5F
Air-Cooled

URC-6F
Air-Cooled

SRK-7H
Air-Cooled

URC-9F
Air-Cooled

SRC-10H
Air-Cooled

URC-12F
Air-Cooled

SRK-14H
Air-Cooled

URC-14F
Air-Cooled

URC-20F
Air-Cooled

URC-21F
Air-Cooled

URC-24F
Air-Cooled



URC-6F
Remote Condenser



URC-24F
Remote Condenser

Remote Condenser	Use with Ice Machine Model Number	
	URC-5F	KM-461MRH
KM-515MRH		Cuber
KM-650MRH		Cuber
URC-6F	F-1001MRH-(C)	Flaker
	SRK-7H	Cuber
URC-9F	KML-631MRH	Cuber
	KMD-850MRH	Cuber
	KMD-901MRH	Cuber
	KM-901MRH(3)	Cuber
SRC-10H	FS-1001MLH-C	Cubelet
URC-12F	KMD-700MRH	Cuber
	KM-1300SRH(3)	Cuber
	F-1500MRH-(C)	Flaker
SRK-14H	KMS-1400MLH	Cuber
URC-14F	KM-1340MRH	Cuber
	URC-20F	KM-1800SRH(3)
KM-2000SRH(3)		Cuber
F-2000MRH(3)		Flaker
F-2000MRH-C		Cubelet
URC-21F	KM-1601MRH(3)	Cuber
	KM-1601SRH(3)	Cuber
URC-24F	KM-2400SRH(3)	Cuber

Ice Machines Sold Separately

- Remote condensers for KM Series Cubers and F Series Flakers
- Quiet operation
- Improved efficiency
- Energy savings
- Weather resistant cabinet for longer life
- May be installed outdoors up to 55 feet from icemaker using a pre-charged tubing kit
- For installations exceeding 55 feet, contact Factory Service Department



Warranty

Valid in United States, Canada, Puerto Rico, & U.S. Territories. Contact factory for warranty in other countries.

When used with KM Series Cubers:
Three Year - Parts & Labor on entire unit.
Five Year - Parts on: air-cooled condenser coil.

When used with F Series Flakers:
Two Year - Parts & Labor on entire unit.
Five Year - Parts on: air-cooled condenser coil.



Hoshizaki

URC-F/SRC-H/SRK-H REMOTE CONDENSER SERIES AIR-COOLED

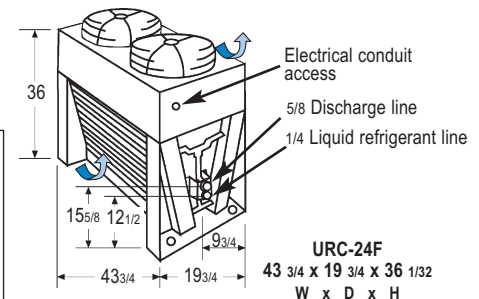
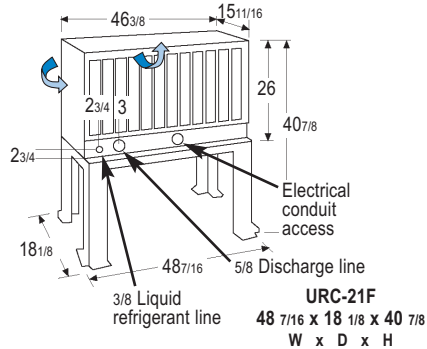
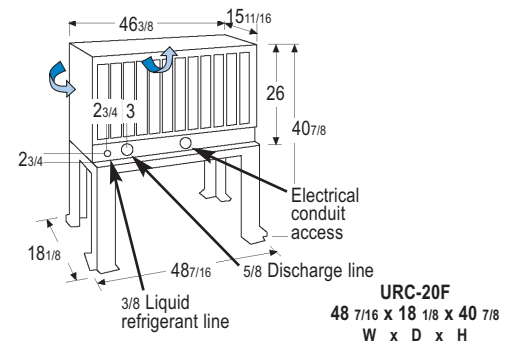
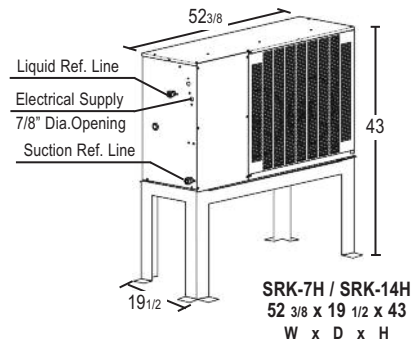
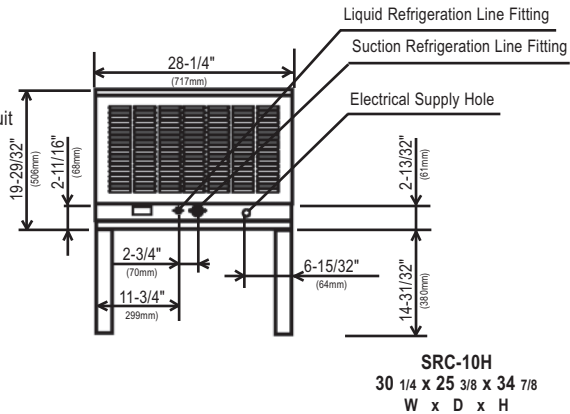
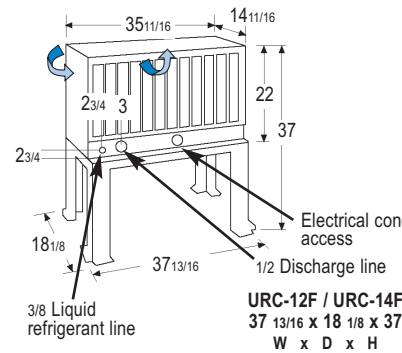
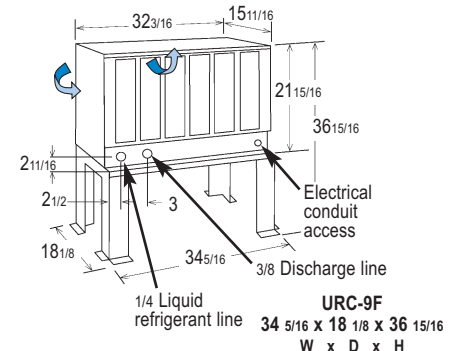
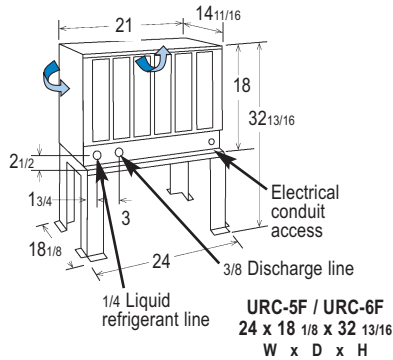
- URC-5F
- URC-6F
- SRK-7H
- URC-9F

- SRC-10H
- URC-12F
- SRK-14H
- URC-14F

- URC-20F
- URC-21F
- URC-24F

REMOTE AIR-COOLED

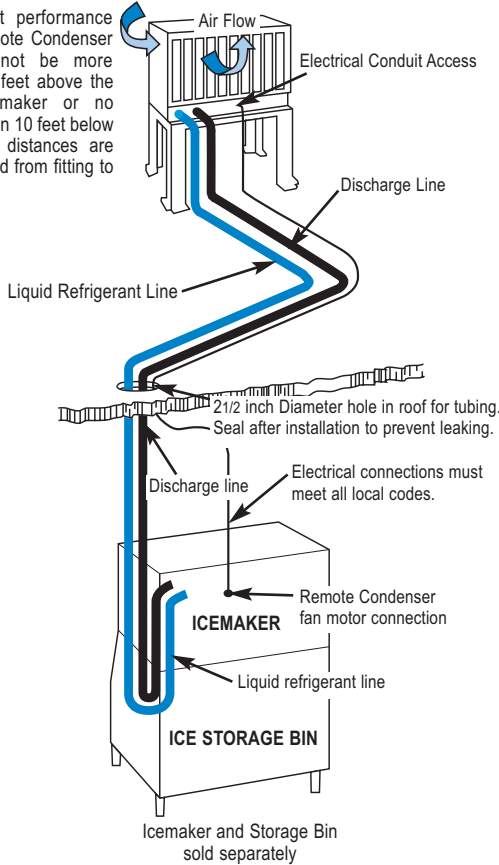
Model Number Air-Cooled Condenser	Order Tubing Kits Separately			Shipping Weight
	20' length	35' length	55' length	
URC-5F	R404-2046-2	R404-3546-2	N/A	60 lbs.
URC-6F	R404-2046-2	R404-3546-2	N/A	60 lbs.
SRK-7H	R404-20810	R404-35810	R404-55810	240 lbs.
URC-9F	R404-2068-2	R404-3568-2	R404-5568-2	95 lbs.
SRC-10H	R404-20410	R404-35410	R404-5510	180 lbs.
URC-12F	R404-2068-2	R404-3568-2	R404-5568-2	110 lbs.
SRK-14H	R404-20810	R404-35810	R404-55810	273 lbs.
URC-14F	R404-2068-2	R404-3568-2	R404-5568-2	110 lbs.
URC-20F	R404-20610	R404-35610	R404-55610	145 lbs.
URC-21F	R404-20610	R404-35610	R404-55610	165 lbs.
URC-24F	R404-20610	R404-35610	R404-55610	210 lbs.



REMOTE CONDENSER INSTALLATION ON ROOF

For best performance allow 24 inch clearance for air circulation

For best performance the Remote Condenser should not be more than 33 feet above the KM Icemaker or no more than 10 feet below it. These distances are measured from fitting to fitting.



ELECTRICAL

URC-5F / URC-6F / URC-9F
URC-12F / URC-14F / URC-20F / URC-21F

- 115V/60/1 (Connection to icemaker)

ELECTRICAL

SRK-7H / SRC-10H / SRK-14H / URC-24F

- 208-230V/60/1 (Connection to icemaker)

OPERATING LIMITS

URC-5F / URC-6F / URC-9F
URC-12F / URC-14F / URC-20F / URC-21F

- Ambient Temp Range -20 - 122°F
- Voltage Range 104 - 127V

OPERATING LIMITS

SRK-7H / SRC-10H / SRK-14H / URC-24F

- Ambient Temp Range -4 - 122°F / -22 - 122°F
- Voltage Range 187 - 253V

Pre-Charged Tubing Kits
(Sold Separately)
Refer to SPECIFICATIONS table to determine appropriate Tubing Kit Number for Remote Condenser Unit specified.



© HOSHIZAKI AMERICA, INC.

618 Hwy. 74 S., Peachtree City, GA 30269

TEL 1-800-438-6087

FAX 1-800-345-1325

www.hoshizaki.com

Printed in U.S.A.